



CHILL-OUT CHAIR

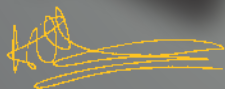
ALTERNATIVE SEATING™

For all Ages!

chill-outchair.com

BEFORE WE WERE CHILLING-OUT, WE WERE CYCLING HARD.

Chill-Out Chairs are part of the Freedom Concepts family of premier, custom-designed products that support an inclusive world for all users. They bear our highest commitment to quality. Since day one, our innovations have been driven by the challenges heard from families, therapists, medical professionals and users. We want to help more children and adults benefit from the comfort, positioning and sense of inclusion that our chairs provide. Our goal is to help you create an environment that one can be inspired in, focus in, learn in, game in, eat in, relax in, and of course, Chill-Out in!



Ken Vanstraelen PRESIDENT

OUR TEAM WOULD LOVE TO MEET YOU.

Therapists and educators count on Freedom Concepts for customer service and support. If our existing product lineup does not suit your specific needs, we will custom-build something that will.

CONTACT US TODAY.

1-800-661-9915

chill-outchair.com

Why Chill-Out Chairs?

THEY POSITION FOR SUCCESS

Each Chill-Out Chair is built using our patented Deep-V Foam Design. This special cut in the foam is shaped and designed to intentionally help the body relax and remain in-place, making Chill-Out Chairs a perfect seating alternative to a wheelchair or powerchair. Chill-Out Chairs also facilitate proper postural positioning and are a great option when working on individual goals to accommodate and support physical anomalies. Additionally, our Multi-Purpose Ottoman provides supported leg elevation and assists with overall circulation, stability and pressure relief.

THEY'RE MAINTENANCE FREE

We want you to get the best experience out of your Chill-Out Chair. Part of that is making sure it's sanitary and easy to clean with our ENDUREPEL™ fabric options. Our Medbloc Liner helps protect the foam's integrity while our fabric selection is made up of washable and wipeable fabrics to make cleaning quick and easy.

THEY'RE ADAPTABLE

Chill-Out Chairs can be used anywhere! At home, at school, in therapy or even outdoors. Our various accessories ensure that users can be comfortable no matter where they are, and our SolarShade fabric covers can handle even the toughest weather conditions.

WE CUSTOM-BUILD

If our standard lineup of Chill-Out Chairs does not meet your specific needs, we would be happy to custom-build a chair for you. We can customize the height, width, tilt and shape of the chair to ensure that it works perfectly for you. We can also create custom shaped positioning cushions and wedges to help you achieve your positioning goals.

THEY'RE COMFORTABLE

When people are comfortable, it's easier for them to relax. Every Chill-Out Chair is built with a combination of high-grade foams that provide maximum comfort and support to people of all ages and abilities. These high-grade foams also help relax spastic muscles, provide sensory input and contribute to inclusion and participation.

Are You a Roll'er?

The Roll'er is perfect for going from room-to-room in therapy settings, at school or at home. With a rolling wheelbase, the Roll'er can reduce the number of transfers required throughout the day. It also helps increase the users overall comfort while keeping them secure and positioned for maximum engagement and participation.

*Please note, the Roll'er model's wooden base allows for accessories such as the Feeding/Activity Tray, Ottoman Support Kit and Powder-Coated Push Bar to be added.

STANDARD ROLL'ER*

- Rolling 4 Wheelbase with 2 Locking Castors
- Tier 1 fabric included in base price
- Modular Wedge included
- Deep-V Foam Design



Both Models Include
Our Multi-Purpose
Ottoman



Or a Rock'er?

Known for its calming effects, the Rock'er features a built in rocking base that provides a soothing back and forth motion. Standard with an ottoman that can be attached with tough velcro straps, users have the option to rock away, or "lock the rock" at the angle of their choosing to lock the chair in a fixed tilt position.

STANDARD ROCK'ER*

- Rocking Base
- Deep-V Foam Design
- Modular Wedge included
- Tier 1 fabric included in base price
- Lightweight and Portable

"LOCK THE ROCK" WITH OUR ROCK'ER MODEL

Looking For Something Else?

We can custom-build our chairs to your specific requirements!

We Build Chairs for People of All Abilities

All Chill-Out Chairs can be customized for specific needs. Most of our standard chair features started out as simple customer requests, then as demand grew they became regular features or options. If our existing product lineup doesn't suit your specific needs, we can custom-build something that will.

**Call us today to learn more
1-800-661-9915**

Our Chill-Out Chairs are built for people of all ages and abilities. To see a full sizing chart, visit the back cover.

**Looking for a different colour?
Contact us to tailor your chair
to all of your needs.**



COMFORT IN THE CLASSROOM

Build a better learning environment by adding a Chill-Out Chair to your classroom. Chill-Out Chairs help children with disabilities relax and focus on the task at hand. The removable cover makes cleaning quick and easy, and the addition of our Medbloc Liner will protect the integrity of the foam.

TEACHER'S NOTES

- INCREASES INCLUSION IN THE CLASSROOM
- ALLOWS STUDENTS TO RELAX AND FOCUS ON THE TASK AT HAND
- EASY TO CLEAN

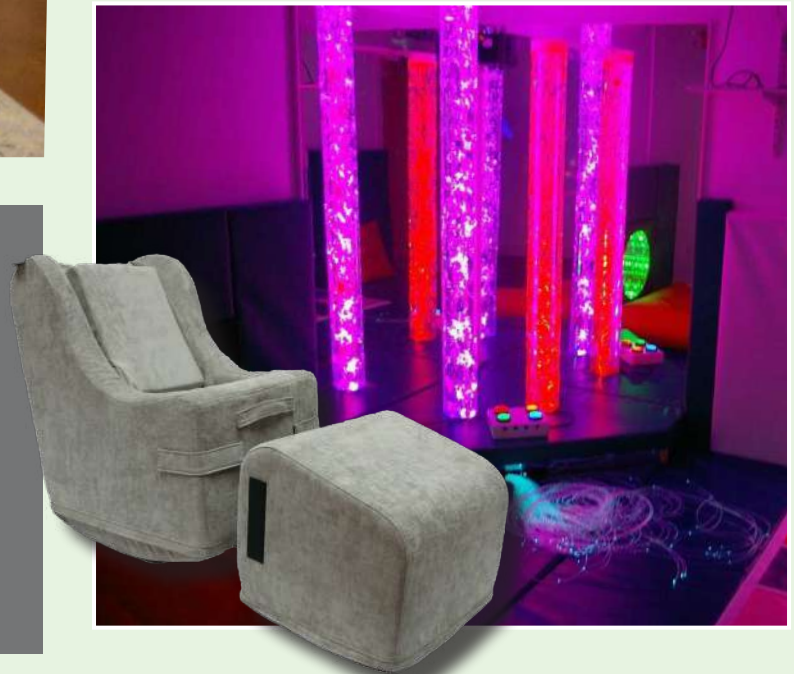


COMFORT AND HAPPINESS, AT HOME

While at home enjoy the comfort and support of the Chill-Out Chair as an alternative to sitting in a wheelchair, laying on the floor or being propped up with cushions. With the Chill-Out Chair, the whole family can sit safely and comfortably together.

Stimulating, yet soothing – the Rock'er Chair is the perfect addition to any sensory or Snoezelen® room.

The Rock'er Chair's gentle rocking motion and Deep-V Foam Design provides a relaxing and soothing sensation for those with autism and other developmental disabilities. Call us today to customize your sensory or Snoezelen® Chill-Out Chair.



REWARD HARD WORK AT THERAPY

Our chairs add an element of comfort to any therapy center or hospital. The Roll'er model's upright positioning is great for people with cerebral palsy and the Feeding/Activity Tray accessory makes the chair a favorite among therapists at feeding time. Our durable foams and fabrics meet the highest standards of flame resistance and bacteria protection.

"I have been an occupational therapist for a long time and this chair is perfect for so many reasons. Most importantly, it supports a variety of muscular skeletal conditions and provides tactile feedback for those that require that sensation."

-Stacie, Occupational Therapist

chill-outchair.com 1-800-661-9915

Customize Your Chair With Accessories



Powder-Coated
Push Bar



Occipital Headrest



Activity Wedge



3-Piece
Positioning Aids



Feeding/
Activity Tray
(With height
and tilt
adjust)



Multi-Purpose
Ottoman



3-Point Padded Pelvic
Positioning Belt



Ottoman
Support Kit



Medbloc
Liner



Rock'er Roll'er
Base

Accessories

A) 3-Point Padded Pelvic Positioning Belt

- Helps maintain an upright sitting position
- Provides pelvic stability
- Prevents user from exiting chair



B) Feeding/Activity Tray

- Swivels side-to-side and is completely removable
- Adjustable height and locking tray tilt
- Perfect accessory for feeding or play time



C) 3-Piece Positioning Aids

- Three foam wedges that provide flexible and adaptable support. Can be used laterally, in the lumbar area or wherever needed
- Available in matching fabric
- Comfortably fills empty space to accommodate future growth



D) Adjustable Occipital Headrest

- Provides head and neck support for individuals with less control
- Fully-adjustable
- Custom-shaped foam head support



E) Powder-Coated Push Bar

- Allows for precise steering of the Roll'er Chair
- Acts as great storage for the Feeding/Activity Tray accessory



F) Activity Wedge

- Provides change in backrest seat angle.
- Supports the user in an upright position for feeding or activities.



G) Medbloc Liner

- Moisture proof.
- Protects integrity of the foam core.
- Incontinence Liner.



Foam Options

Chill-Out Chairs are made with a variety of specific foam grades. Our density and firmness configurations offer the ultimate in targeted pressure relief, comfort and support. All of our foams are premium quality, UFAC approved and CAL TB117 flame resistant.

ESSENTIAL FOAM

The Essential Foam Package is made of one density to offer great comfort and support to those 100lbs or less. Available upgrades include our Luxury Comfort Package, memory foam, and optional extended warranties. For more information visit chill-outchair.com

TEC FOAM (THERAPIST'S/EDUCATOR'S RECOMMENDED CHOICE)

The TEC Foam Package provides soft comfort, firm support and the best durability at all weights. The TEC Foam Package comes with our Luxury Comfort Package and a standard three-year warranty.

SO MUCH MORE

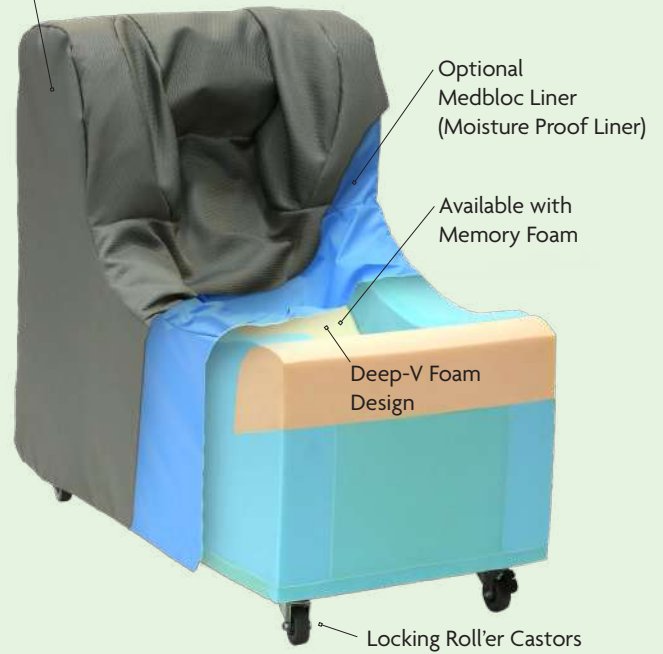
Extra fire protection, extended warranties, memory foam liners – we've got it all covered. Please go online or speak to a representative to learn about all of our foam package add-ons.

CALL US TODAY!
1-800-661-9915



UNDERNEATH THE COVER

Choose your Cover



SPILLS? NO WORRIES!

Our Medbloc Liner slips over the chair's foam core and protects the hygienic integrity of the chair.



Fabric Options

Unique colors, patterns and textures make up our latest fabrics. All choices were based on input from physical and occupational therapists, psychologists and care givers.

Colors and textures were carefully chosen based on occupant response.

Choose between smooth plush finishes with soothing characteristics or highly textured fabrics for increased tactile and visual stimulation.



POPPY

BARK

LAKE

LEAF

FABRICS FOR ALL ENVIRONMENTS!

We've built our fabric selection with stain resistance, bacteria resistance and outdoor use in mind.

Our ENDUREPEL® fabrics are engineered to provide permanent moisture, stain, odor and microbial protection.

Our new SOLARSHADE® fabrics boast some of the best stain and water repellent characteristics. Go online to see our full fabric listings.



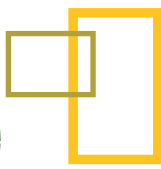
WANT EVEN MORE CHOICES?

Visit our website for complete fabric listings, fabric specifications and much more!

chill-outchair.com

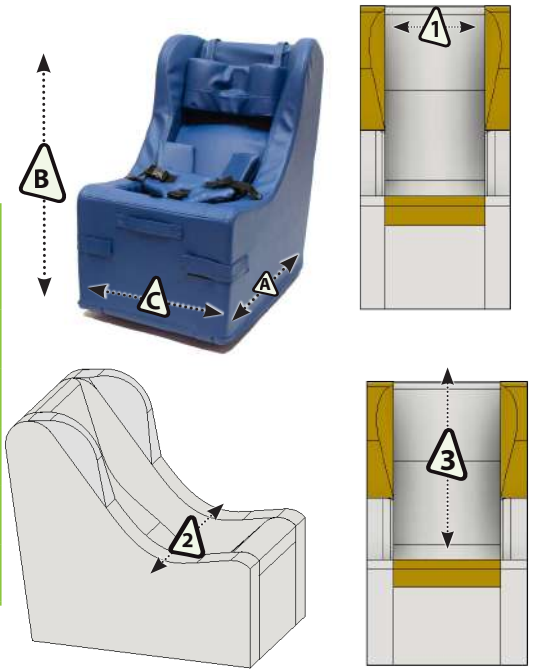
DOVE

Size Guide



RECOMMENDED USER SIZE RANGES

Chill-Out Chair Size	Height Range (IN)	Height Range (CM)	Weight Range (LBS)	Weight Range (KG)
Small	40" - 52"	102 - 132	30 - 80	14 - 36
Medium	50" - 62"	127 - 157	55 - 120	25 - 54
Narrow Large	60" - 68"	152 - 173	70 - 155	32 - 70
Large	60" - 68"	152 - 173	90 - 175	41 - 79
Extra Wide Large	60" - 68"	152 - 173	175 - 300	79 - 136



CHILL-OUT CHAIR DIMENSIONS

Chill-Out Chair Size	Overall Length (A)		Overall Height (B)		Overall Width (C)		Seat Width (#1)		Seat Depth (#2)		Seat Height (#3)		Rock'er Weight ***		Roll'er Weight ***	
	(IN)	(CM)	(IN)	(CM)	(IN)	(CM)	(IN)	(CM)	(IN)	(CM)	(IN)	(CM)	(LBS)	(KG)	(LBS)	(KG)
Small	29"	74	33"	84	19"	48	12"	33	12"	30	26"	66	21	9.5	30	13.6
Medium	34"	86	36"	91	21"	53	14"	36	14"	36	31"	79	26	11.8	37	16.8
Narrow Large	40"	102	41"	104	22"	56	14"	36	16"	41	38"	97	33	15	42	19
Large	40"	102	41"	104	24"	61	16"	41	16"	41	38"	97	36	16.3	46	20.9
Extra Wide Large	40"	102	46"	117	31"	79	21"	53	17"	43	38"	97	46	20.9	56	25.4

Also Available:



chill-outchair.com

Call 1-800-661-9915 or visit chill-outchair.com to learn more.

Give us a call to find out how we can help you create a safe and comfortable space for someone you know.

1.800.661.9915



CANADIAN OFFICE: 2087 PLESSIS ROAD, SUNNYSIDE, MB, CANADA, R5R 0C8

US MAIL OFFICE: 3651 LINDELL ROAD STE. D239, LAS VEGAS, NV, USA, 89103

chill-outchair.com freedomconcepts.com



@FreedomConcepts